



Three-wheel electric forklift

E14 – E20

Load capacity 1.4 t – 2.0 t | Series 1251

PB

ION

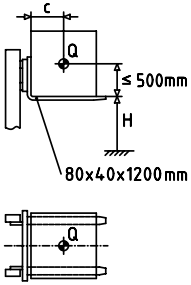
H2

Compact top performer

- Electric counterbalance forklift truck up to 2 tonnes capacity
- Versatile and economic indoor vehicle
- Speeds of up to 20 km/h and highly manoeuvrable for optimum performance even in tight corners
- 7 variants with different chassis sizes and battery capacities
- Flexible energy options: Lead-acid, Li-ION or fuel cell

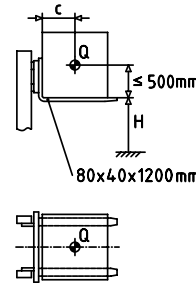
LOAD CAPACITY

E14



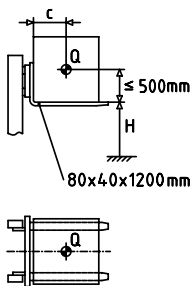
H [mm]	Q [kg]			
6500	950	850	770	700
6300	1030	930	840	770
6200	1080	960	870	800
6100	1120	1000	910	830
6000	1160	1040	950	860
5900	1210	1080	980	900
5800	1250	1120	1020	930
5700	1300	1160	1050	960
5600	1320	1180	1070	980
5500	1350	1210	1090	1000
5400	1370	1230	1110	1020
≤ 5300	1400	1250	1130	1040
c [mm]	400-500	600	700	800

E16 C*



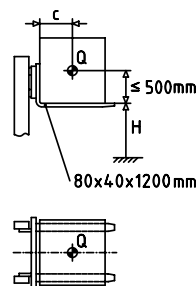
H [mm]	Q [kg]			
6500	1050	940	850	780
6300	1150	1030	930	850
6100	1250	1120	1010	920
6000	1300	1160	1050	960
5900	1350	1210	1090	1000
5800	1400	1250	1130	1040
5700	1450	1300	1170	1070
5600	1500	1340	1210	1110
5500	1520	1360	1230	1130
5400	1550	1390	1260	1150
5300	1570	1410	1280	1170
≤ 5200	1600	1430	1300	1180
c [mm]	400-500	600	700	800

E16



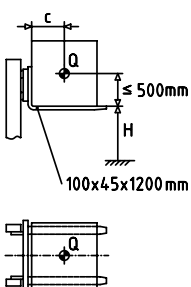
H (mm)	Q (kg)			
6500	1050	940	850	780
6300	1150	1030	930	850
6100	1250	1120	1010	920
6000	1300	1160	1050	960
5900	1350	1210	1090	1000
5800	1400	1250	1130	1040
5700	1450	1300	1170	1070
5600	1500	1340	1210	1110
5500	1520	1360	1230	1130
5400	1550	1390	1260	1150
5300	1570	1410	1280	1170
≤ 5200	1600	1430	1300	1180
c (mm)	400 - 500	600	700	800

E16 L*



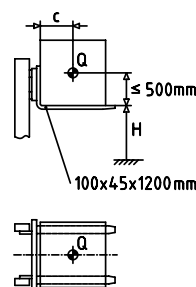
H (mm)	Q (kg)			
6500	1050	940	850	780
6300	1150	1030	930	850
6100	1250	1120	1010	920
6000	1300	1160	1050	960
5900	1350	1210	1090	1000
5800	1400	1250	1130	1040
5700	1450	1300	1170	1070
5600	1500	1340	1210	1110
5500	1520	1360	1230	1130
5400	1550	1390	1260	1150
5300	1570	1410	1280	1170
≤ 5200	1600	1430	1300	1180
c [mm]	400-500	600	700	800

E18



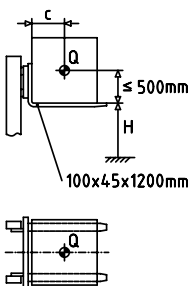
H (mm)	Q (kg)			
6200	1370	1220	1110	1020
6100	1410	1270	1150	1050
6000	1460	1310	1190	1090
5900	1510	1350	1230	1120
5800	1560	1400	1270	1160
5700	1610	1440	1310	1190
5600	1640	1470	1330	1220
5500	1670	1500	1360	1240
5400	1700	1530	1380	1260
5300	1730	1550	1410	1290
5200	1760	1580	1430	1310
≤ 5100	1800	1610	1460	1340
c [mm]	400-500	600	700	800

E20



H (mm)	Q (kg)			
6200	1500	1340	1220	1110
6000	1590	1430	1300	1190
5800	1690	1520	1370	1260
5600	1790	1600	1450	1330
5500	1810	1630	1470	1350
5400	1840	1650	1500	1370
5300	1860	1670	1520	1390
5200	1890	1700	1540	1410
5100	1920	1720	1560	1430
5000	1940	1740	1580	1450
4900	1970	1770	1600	1470
≤ 4800	2000	1790	1620	1490
c [mm]	400-500	600	700	800

E20 L*



H (mm)	Q (kg)			
6200	1510	1350	1230	1120
6000	1610	1440	1310	1200
5900	1660	1490	1350	1240
5800	1710	1540	1390	1270
5700	1760	1580	1430	1310
5600	1810	1630	1480	1350
5500	1870	1670	1520	1390
5400	1890	1700	1540	1410
5300	1920	1720	1560	1430
5200	1940	1740	1580	1450
5100	1970	1770	1600	1470
≤ 5000	2000	1790	1620	1490
c [mm]	400-500	600	700	800

* C = compact version - for narrow aisles
L = long version - space for a large battery

H = Lifting height, c = Load centre distance, Q = Load capacity
Load capacity for standard mast and fork carriage

STANDARD AND OPTIONAL EQUIPMENT

	Manufacturer's type designation/equipment	E14 - E20
Safety	Linde Curve Assist - automatic reduction of travel speed around corners	●
	Electric seat belt monitoring - visual and audible feedback	●
	Linde Load Assist - increased safety at high lift heights	●
	BlueSpot and TruckSpot - visual drive path warning for pedestrians and other operators	○
	Load weight indicator	○
	Linde Safety Pilot - load-dependent driving and lifting speed regulation plus additional functions	○
	Linde Safety Guard - visual and audible proximity warning between trucks or between trucks and pedestrians	○
	Speed restriction options (via switch, indoor/outdoor, load-dependent)	○
	Electrically monitored restraint system (optional monitoring: Door and/or belt)	○
	Linde LED stripes - optimum illumination of travel direction (switched or automatic) for increased safety	○
	Linde Vertilight - extensive illumination of racking, load and forks	○
	Reverse Assist Radar - rear collision avoidance	○
	Reverse Assist Camera - personnel detection camera system avoids accidents	○
Digitalisation	Online data transmission	○
	WiFi data transmission	○
	Linde Fleet Management (local and cloud-based fleet management with different functional modules)	○
	Linde Pre-Op Check - customizable daily check protocol for operational readiness, integrated in the truck display	○
	Truck Call app - coordination of transport jobs	○
Operation/ load handling	Twin pedal control - smooth acceleration and quick direction changes	●
	Single pedal control - smooth acceleration and change of travel direction via switch	○
	Linde Load Control - central control lever fully integrated into the armrest for precise control of all hydraulic functions	●
	Multifunction lever - effortless control and increased ease of use	○
	Individual lever control of hydraulic functions	○
Workplace	Innovative decoupling concept decreases whole body vibrations to reduce operator fatigue	●
	Ergonomic and safe on/off access for operator	●
	Adjustable steering column tilt	●
	Comfort overhead guard for optimum headroom	●
	Operator's seat - fast, easy mechanical weight adjustment	●
	Different operator's seat options: seat heating, air suspension, active seat cushion ventilation, fore/aft suspension	○
	Operator's seat - swivelling seat	○
	3.5" LED colour display, including steering and tilt angle display	●
	7" LED multifunction colour display integrates additional functions such as cameras, Linde Safety Pilot and Pre-Op Check	○
	Armoured glass roof window	○
	Light metal doors with wide-opening sliding window	○
	Illuminated DIN A4 clip board	○
	Electric heating - 4 heat settings and 7 air nozzles for targeted adjustment as required	○
	Fully into the contour integrated air conditioning - use of existing air nozzles from the heating system for efficient cooling	○
Radio incl. DAB+, MP3 player and Bluetooth hands-free kit	○	
Mast	High mounted tilt cylinders with maintenance-free bearings increase capacity at height	●
	Optimum visibility due to nested mast profiles on standard, duplex and triplex masts	●
	Electronically damped tilt stop	●
	Load damping for increased driving comfort and reduced wear and tear	○
Attachments/ forks	Reinforced Linde forks - easy to adjust and offering long service life	○
	Integral roller-guided side shift carriage retains full truck capacity	○
	Integral fork positioning carriage 'VIEW' for optimum residual load capacity and exceptional visibility	○
Axles and tyres	Super-elastic tyres (SE)	●
	Closed shoulder CS 20 tyres	○
	Anti-static or non-marking tyres	○
	Dirt deflectors/mud guards, front and rear	○
Drive and brake system	48 volt twin motor front-wheel drive with traction control and ramp assist	●
	Operating settings - economy, efficiency and performance - for individual performance adjustment	●
	Automatic parking brake	●
Energy	Li-ION-ready	●
	Easy lateral battery change and hinged battery cover for easy routine checking of lead-acid batteries	●
	Simple, convenient charging thanks to rear charging option	○
	Charge anywhere with fully integrated, high frequency (HF) on-board charger	○

● Standard equipment ○ Optional equipment

TECHNICAL DATA (according to VDI 2198)

Characteristics	1.1	Manufacturer (abbreviation)		Linde MH	Linde MH	Linde MH	Linde MH
	1.2	Manufacturer's type designation		E14	E16 C	E16	E16 L
	1.2a	Series		1251-01	1251-01	1251-01	1251-01
	1.3	Drive		Battery	Battery	Battery	Battery
	1.4	Operation		Seated	Seated	Seated	Seated
	1.5	Rated capacity/rated load	Q (t)	1.4	1.6	1.6	1.6
	1.6	Load centre distance	c (mm)	500	500	500	500
	1.8	Load distance, centre of drive axle to fork	x (mm)	369.9	369.9	369.9	369.9
	1.9	Wheelbase	y (mm)	1311 ¹⁾	1319 ¹⁾	1419 ¹⁾	1527 ¹⁾
Weight	2.1	Service weight	kg	2950 ²⁾	3135 ²⁾	3087 ²⁾	3398 ²⁾
	2.2	Axle loading, laden front/rear	kg	3754/596	4095/640	4093/594	4117/881
	2.3	Axle loading, unladen front/rear	kg	1425/1525 ²⁾	1440/1695 ²⁾	1512/1575 ²⁾	1606/1792 ²⁾
Tyres/chassis	3.1	Tyres: solid rubber, superelastic, pneumatic, polyurethane		SE	SE	SE	SE
	3.2	Tyre size, front		180/70-8 (18 × 7-8)	180/70-8 (18 × 7-8)	180/70-8 (18 × 7-8)	180/70-8 (18 × 7-8)
	3.3	Tyre size, rear		125/75-8 (15 × 4 1/2-8)	125/75-8 (15 × 4 1/2-8)	125/75-8 (15 × 4 1/2-8)	125/75-8 (15 × 4 1/2-8)
	3.5	Wheels, number front/rear (x = driven wheels)		2 x/2	2 x/2	2 x/2	2 x/2
	3.6	Tread, front	b10 (mm)	930	930	930	930
	3.7	Tread, rear	b11 (mm)	176	176	176	176
	Dimensions	4.1	Mast/fork carriage tilt, forward/backward	α/β (°)	5.0/7.0	5.0/7.0	5.0/7.0
4.2		Mast height, lowered	h1 (mm)	2142	2141	2141	2141
4.3		Free lift	h2 (mm)	150	150	150	150
4.4		Lift	h3 (mm)	3050	3050	3050	3050
4.5		Mast height, extended	h4 (mm)	3653	3652	3652	3652
4.7		Height of overhead guard (cabin)	h6 (mm)	2053	2051	2050	2048
4.8		Seat height relating to SIP/stand height	h7 (mm)	1047	1047	1047	1047
4.12		Coupling height	h10 (mm)	527	528	528	527
4.19		Overall length	l1 (mm)	2761	2769	2869	2977
4.20		Length to fork face	l2 (mm)	1861	1869	1969	2077
4.21		Overall width	b1/b2 (mm)	1086/-	1086/-	1086/-	1086/-
4.22		Fork dimensions DIN ISO 2331	s/e/l (mm)	40/80/900	40/80/900	40/80/900	40/80/900
4.23		Fork carriage to ISO 2328, class/type A, B		2A	2A	2A	2A
4.24		Fork carriage width	b3 (mm)	980	980	980	980
4.31		Ground clearance, laden, below mast	m1 (mm)	92	91	91	91
4.32		Ground clearance, centre of wheelbase	m2 (mm)	99	99	99	98
4.34.1		Aisle width for pallets 1000 × 1200 crossways	Ast (mm)	3187 ³⁾	3195 ³⁾	3295 ³⁾	3403 ³⁾
4.34.2		Aisle width for pallets 800 × 1200 lengthways	Ast (mm)	3311 ³⁾	3319 ³⁾	3419 ³⁾	3527 ³⁾
4.35		Turning radius	Wa (mm)	1491	1499	1599	1707
4.36	Inside turning radius	b13 (mm)	0	0	0	0	
Performance	5.1	Travel speed, laden/unladen	km/h	20/20	20/20	20/20	20/20
	5.1.1	Travel speed, laden/unladen, backward	km/h	20/20	20/20	20/20	20/20
	5.2	Lifting speed, laden/unladen	m/s	0.57/0.61	0.54/0.61	0.54/0.61	0.54/0.61
	5.3	Lowering speed, laden/unladen	m/s	0.58/0.5	0.58/0.5	0.58/0.5	0.58/0.5
	5.5	Drawbar pull, laden/unladen	N	2500/2500	2500/2500	2500/2500	2500/2500
	5.6	Max. drawbar pull, laden/unladen	N	10100/10100	10100/10100	10100/10100	10100/10100
	5.7	Gradeability, laden/unladen	%	15.5/24.7	14.1/23.1	14.1/23.1	11.1/18.9
	5.8	Max. gradeability, laden/unladen	%	24.5/39.5	22.3/36.8	22.3/36.8	17.8/29.9
	5.9	Acceleration time, laden/unladen	s	5.5/4.9	5.7/5.0	5.7/5.0	6.1/5.2
	5.10	Service brake		mech./elect.	mech./elect.	mech./elect.	mech./elect.
Electric-engine	6.1	Drive motor rating S2 60 min	kW	2 x 5.25	2 x 5.25	2 x 5.25	2 x 5.25
	6.2	Lift motor rating at S3 15%	kW	10	10	10	10
	6.3	Battery according to DIN 43531/35/36 A, B, C, no		43 531 A	43 531 A	43 531 A	43 531 A
	6.4	Battery voltage/nominal capacity K5	(V)/(Ah) or kWh	48/460/500	48/460/500	48/575/625	48/690/750
	6.4.a	Battery energy content	kWh	19.2	19.2	24	28.8
	6.5	Battery weight (±5%)	kg	708	708	856	1013
	6.6	Energy consumption according to DIN EN 16796	kWh/h	3.8	4.0	4.0	4.2
	6.6.1	CO2 equivalent compliant with DIN EN 16796	kg/h	2.0	2.2	2.2	2.2
6.7	Turnover output according to VDI 2198	t/h	107	121	122	120	
6.8	Turnover efficiency according to VDI 2198	t/kWh	19.3	20.8	21.0	20.6	
Drive/lifting mechanism	8.1	Type of drive unit		Microprocessor control	Microprocessor control	Microprocessor control	Microprocessor control
Additional data	10.1	Operating pressure for attachments	bar	170	170	170	170
	10.2	Oil flow for attachments	l/min	32	32	32	32
	10.7	Sound pressure level LpAZ (at the operator's seat)	dB(A)	63	63	63	63

1) With vertical mast

2) including battery, lines 6.4/6.5.

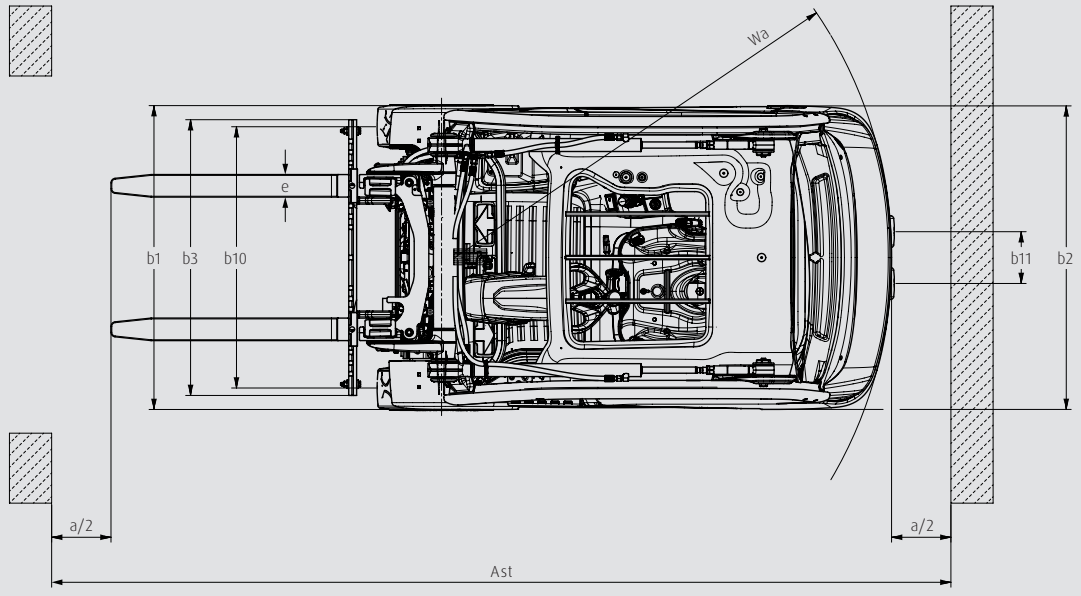
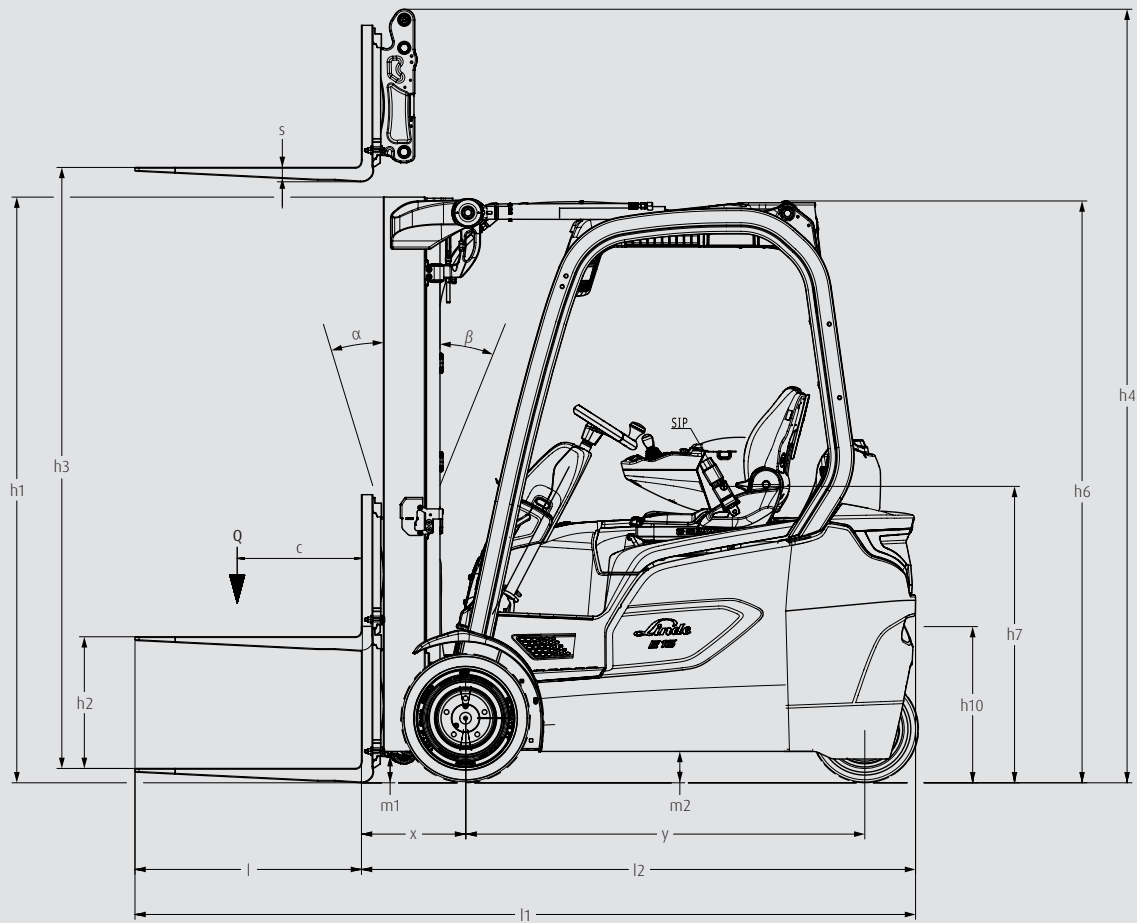
3) including a = 200 mm safety distance

Characteristics	1.1	Manufacturer (abbreviation)		Linde MH	Linde MH	Linde MH
	1.2	Manufacturer's type designation		E18	E20	E20 L
	1.2a	Series		1251-01	1251-01	1251-01
	1.3	Drive		Battery	Battery	Battery
	1.4	Operation		Seated	Seated	Seated
	1.5	Rated capacity/rated load	Q (t)	1.8	2.0	2.0
	1.6	Load centre distance	c (mm)	500	500	500
	1.8	Load distance, centre of drive axle to fork	x (mm)	374.9	378.9	378.9
	1.9	Wheelbase	y (mm)	1419 ¹⁾	1460 ¹⁾	1527 ¹⁾
Weight	2.1	Service weight	kg	3320 ²⁾	3472 ²⁾	3454 ²⁾
	2.2	Axle loading, laden front/rear	kg	4484/636	4836/636	4817/637
	2.3	Axle loading, unladen front/rear	kg	1574/1746 ²⁾	1632/1840 ²⁾	1666/1788 ²⁾
Tyres/chassis	3.1	Tyres: solid rubber, superelastic, pneumatic, polyurethane		SE	SE	SE
	3.2	Tyre size, front		200/50-10	200/50-10	200/50-10
	3.3	Tyre size, rear		140/55-9	140/55-9	140/55-9
	3.5	Wheels, number front/rear (x = driven wheels)		2 x/2	2 x/2	2 x/2
	3.6	Tread, front	b10 (mm)	966	966	966
	3.7	Tread, rear	b11 (mm)	172	172	172
	Dimensions	4.1	Mast/fork carriage tilt, forward/backward	α/β (°)	5.0/7.0	5.0/7.0
4.2		Mast height, lowered	h1 (mm)	2142	2141	2141
4.3		Free lift	h2 (mm)	150	150	150
4.4		Lift	h3 (mm)	3050	3050	3050
4.5		Mast height, extended	h4 (mm)	3653	3652	3652
4.7		Height of overhead guard (cabin)	h6 (mm)	2049	2048	2048
4.8		Seat height relating to SIP/stand height	h7 (mm)	1048	1048	1047
4.12		Coupling height	h10 (mm)	529	529	528
4.19		Overall length	l1 (mm)	2874	2908	2986
4.20		Length to fork face	l2 (mm)	1974	2008	2086
4.21		Overall width	b1/b2 (mm)	1162/-	1162/-	1162/-
4.22		Fork dimensions DIN ISO 2331	s/e/l (mm)	45/100/900	45/100/900	45/100/900
4.23		Fork carriage to ISO 2328, class/type A, B		2A	2A	2A
4.24		Fork carriage width	b3 (mm)	980	980	980
4.31		Ground clearance, laden, below mast	m1 (mm)	94	93	93
4.32		Ground clearance, centre of wheelbase	m2 (mm)	97	96	96
4.34.1		Aisle width for pallets 1000 × 1200 crossways	Ast (mm)	3299 ³⁾	3333 ³⁾	3411 ³⁾
4.34.2		Aisle width for pallets 800 × 1200 lengthways	Ast (mm)	3424 ³⁾	3458 ³⁾	3536 ³⁾
4.35		Turning radius	Wa (mm)	1599	1629	1707
4.36		Inside turning radius	b13 (mm)	0	0	0
Performance	5.1	Travel speed, laden/unladen	km/h	20/20	20/20	20/20
	5.1.1	Travel speed, laden/unladen, backward	km/h	20/20	20/20	20/20
	5.2	Lifting speed, laden/unladen	m/s	0.51/0.61	0.48/0.61	0.48/0.61
	5.3	Lowering speed, laden/unladen	m/s	0.58/0.5	0.58/0.5	0.58/0.5
	5.5	Drawbar pull, laden/unladen	N	2500/2500	2500/2500	2500/2500
	5.6	Max. drawbar pull, laden/unladen	N	10100/10100	10100/10100	10100/10100
	5.7	Gradeability, laden/unladen	%	11.1/18.9	11.1/18.9	11.1/18.9
	5.8	Max. gradeability, laden/unladen	%	17.8/29.9	17.8/29.9	17.8/29.9
	5.9	Acceleration time, laden/unladen	s	6.1/5.2	6.1/5.2	6.1/5.2
	5.10	Service brake		mech./elect.	mech./elect.	mech./elect.
Electric-engine	6.1	Drive motor rating S2 60 min	kW	2 x 5.25	2 x 5.25	2 x 5.25
	6.2	Lift motor rating at S3 15%	kW	10	10	10
	6.3	Battery according to DIN 43531/35/36 A, B, C, no		43 531 A	43 531 A	43 531 A
	6.4	Battery voltage/nominal capacity K5	(V)/(Ah) or kWh	48/575/625	48/575/625	48/690/750
	6.4.a	Battery energy content	kWh	24	24	28.8
	6.5	Battery weight (±5%)	kg	856	856	1013
	6.6	Energy consumption according to DIN EN 16796	kWh/h	4.3	4.5	4.5
	6.6.1	CO2 equivalent compliant with DIN EN 16796	kg/h	2.3	2.5	2.5
6.7	Turnover output according to VDI 2198	t/h	136	150	150	
6.8	Turnover efficiency according to VDI 2198	t/kWh	22.3	23.6	23.6	
Drive/lifting mechanism	8.1	Type of drive unit		Microprocessor control	Microprocessor control	Microprocessor control
Additional data	10.1	Operating pressure for attachments	bar	170	170	170
	10.2	Oil flow for attachments	l/min	32	32	32
	10.7	Sound pressure level LpAZ (at the operator's seat)	dB(A)	63	63	63

1) With vertical mast

2) including battery, lines 6.4/6.5.

3) including a = 200 mm safety distance



MAST TABLES

STANDARD MAST (in mm)

Series	1521								
Lift	h3: 2800	h3: 2950	h3: 3150	h3: 3250	h3: 3350	h3: 3850	h3: 4250	h3: 4650	h3: 5650
Height measurements	h1: 2025 h2: 150 h4: 3405	h1: 2100 h2: 150 h4: 3555	h1: 2200 h2: 150 h4: 3755	h1: 2250 h2: 150 h4: 3855	h1: 2300 h2: 150 h4: 3955	h1: 2550 h2: 150 h4: 4455	h1: 2750 h2: 150 h4: 4855	h1: 2950 h2: 150 h4: 5255	h1: 3450 h2: 150 h4: 6255
Manufacturer's type designation									
E14	○	○	○	○	○	○	○	○	○
E16 C	○	○	○	○	○	○	○	○	○
E16	○	○	○	○	○	○	○	○	○
E16 L	○	○	○	○	○	○	○	○	○
E18	○	○	○	○	○	○	○	○	○
E20	○	○	○	○	○	○	○	○	○
E20 L	○	○	○	○	○	○	○	○	○

DUPLEX MAST (in mm)

Series	1521						
Lift	h3: 2795	h3: 2945	h3: 3145	h3: 3245	h3: 3345	h3: 3545	h3: 3845
Height measurements	h1: 1945 h2: 1343 h4: 3400	h1: 2020 h2: 1418 h4: 3550	h1: 2120 h2: 1518 h4: 3750	h1: 2170 h2: 1568 h4: 3850	h1: 2220 h2: 1618 h4: 3950	h1: 2320 h2: 1718 h4: 4150	h1: 2470 h2: 1868 h4: 4450
Manufacturer's type designation							
E14	○	○	○	○	○	○	○
E16 C	○	○	○	○	○	○	○
E16	○	○	○	○	○	○	○
E16 L	○	○	○	○	○	○	○
E18	○	○	○	○	○	○	○
E20	○	○	○	○	○	○	○
E20 L	○	○	○	○	○	○	○

TRIPLEX MAST (in mm)

Series	1521								
Lift	h3: 4100	h3: 4325	h3: 4625	h3: 4775	h3: 4925	h3: 5475	h3: 5625	h3: 6075	h3: 6225
Height measurements	h1: 1953 h2: 1343 h4: 4705	h1: 2028 h2: 1418 h4: 4930	h1: 2128 h2: 1518 h4: 5230	h1: 2178 h2: 1568 h4: 5380	h1: 2228 h2: 1618 h4: 5530	h1: 2478 h2: 1868 h4: 6080	h1: 2528 h2: 1918 h4: 6230	h1: 2678 h2: 2068 h4: 6680	h1: 2728 h2: 2118 h4: 6830
Manufacturer's type designation									
E14	○	○	○	○	○	○	○	○	○
E16 C	○	○	○	○	○	○	○	○	○
E16	○	○	○	○	○	○	○	○	○
E16 L	○	○	○	○	○	○	○	○	○
E18	○	○	○	○	○	○	○	○	○
E20	○	○	○	○	○	○	○	○	○
E20 L	○	○	○	○	○	○	○	○	○

○ Optional equipment

h1: Mast height, lowered

h2: Free lift

h3: Lift

h4: Mast height, extended

Figures for other equipment and triplex masts on request

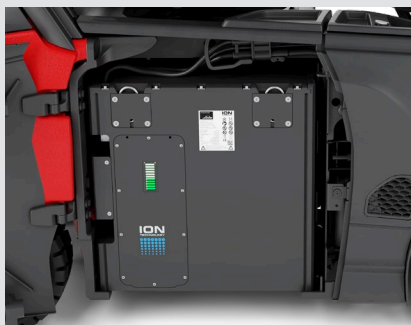
CHARACTERISTICS



Workplace

Ergonomics

- Operator's workstation isolated from road shocks and vibrations by elastomer ring bearings to reduce vibration and fatigue for the operator
- Intuitive operation thanks to twin pedal control and Linde Load Control
- Spacious cabin with 3.5 inch display showing the most important truck information
- Wide range of ergonomic comfort seats for optimum seating position
- Fully integrated air conditioning and heating systems for optimum working comfort
- Linde Steer Control available with mini wheel or joystick instead of steering wheel



Battery door

Handling

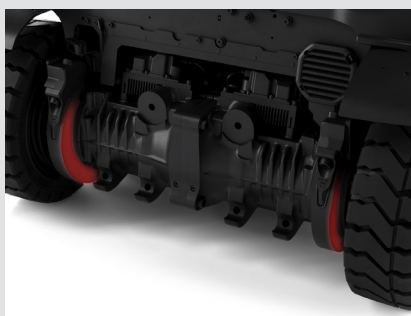
- Powerful 48 volt technology for continuous use in multi-shift operations
- Use of existing batteries on site and flexible switching between lead-acid and Li-ION batteries (plug-and-play)
- Easy battery change due to side access and open chassis design
- Connectivity for seamless integration into digital processes
- Optional on-board charger for opportunity charging
- Hinged battery cover for easy daily inspection of lead-acid batteries



Panoramic view

Safety

- Nested mast profiles, narrow A-pillars and low front bulkhead for optimum all-round visibility
- Low vehicle centre of gravity ensures optimum resistance to tipping enhancing safety
- Overhead tilt cylinders for precise load handling at high lift heights
- Linde Curve Assist for automatic travel speed reduction around corners
- Linde Load Assist for increased safety at high lift heights
- Automatic parking brake holds the truck securely on ramps and gradients
- Numerous optional assistance systems available



Drive axle

Service

- Robust, low-wear design for low service costs
- Maintenance-free, fully enclosed drive components
- Long maintenance intervals e.g hydraulic oil and filter change only every 6000 hours
- Quick maintenance thanks to easily accessible components
- Wireless data transmission optimises service processes

Subject to modification in the interest of progress. Illustrations and technical specifications could include options and are not binding for actual constructions. All dimensions subject to usual tolerances.



ncnielsen

Nørregade 66, DK-7860 Balling | Tlf.: +45 99 83 83 83
nc-nielsen.dk | info@nc-nielsen.dk