



Pallet Stackers

L10 – 12 B AS

Capacity 1.0 t – 1.2 t | Series 4596

PB

ION

Agile specialist

- Electric pedestrian straddle stacker (AS) for loads up to 1.2 tons and lifting heights up to 4.7 meters
- ISO forks ideal for handling loads with low under-clearance
- Ideal for stacking closed (bottom boarded) pallets
- For light to medium-duty applications in dispatch, warehouse or production areas
- Narrow stacking aisle and adjustable straddle arms for flexibility in application

MAST TABLES

STANDARD MAST (in mm)

Lift	h3: 2024	h3: 2424	h3: 2924	h3: 3324	h3: 3824	h3: 4224
Height measurements	h1: 1490 h1#: 1565 h2: 150 h4: 2672	h1: 1690 h1#: 1765 h2: 150 h4: 3072	h1: 1940 h1#: 2015 h2: 150 h4: 3572	h1: 2140 h1#: 2215 h2: 150 h4: 3972	h1: 2390 h1#: 2465 h2: 150 h4: 4472	h1: 2590 h1#: 2665 h2: 150 h4: 4872
Manufacturer's type designation						
L10 B AS	<input type="radio"/>	<input type="radio"/>	<input type="radio"/>	<input type="radio"/>	<input type="radio"/>	<input type="radio"/>

DUPLEX MAST (in mm)

Lift	h3: 2024	h3: 2424	h3: 2924	h3: 3324	h3: 3824	h3: 4224
Height measurements	h1:1490 h1#: - h2: 842 h4: 2672	h1:1690 h1#: - h2: 1042 h4: 3072	h1:1940 h1#: - h2: 1292 h4: 3572	h1:2140 h1#: - h2: 1492 h4: 3972	h1:2390 h1#: - h2: 1742 h4: 4472	h1:2590 h1#: - h2: 1942 h4: 4872
Manufacturer's type designation						
L10 B AS	<input type="radio"/>	<input type="radio"/>	<input type="radio"/>	<input type="radio"/>	<input type="radio"/>	<input type="radio"/>

TRIPLEX MAST (in mm)

Lift	h3: 3636	h3: 4386	h3: 4686
Height measurements	h1:1690 h1#: - h2: 1042 h4: 4284	h1:1940 h1#: - h2: 1292 h4: 5034	h1:2040 h1#: - h2: 1392 h4: 5334
Manufacturer's type designation			
L10 B AS	<input type="radio"/>	<input type="radio"/>	<input type="radio"/>

○ Optional equipment **h1:** Mast height, lowered **h1#:** Mast height with used free lift 150 mm **h2:** Free lift **h3:** Lift **h4:** Mast height, extended

STANDARD AND OPTIONAL EQUIPMENT

Manufacturer's type designation/equipment		L10 B AS	L12 B AS
Safety	Active foot bumper – foot protection system	○	○
	Long tiller and low chassis skirt	●	●
	Easily accessible emergency stop button	●	●
	Warning buzzer – for operation in low noise areas	●	●
	Horn – for operation in noisy environments	○	○
	Log in PIN code	○	○
	Linde BlueSpot – visual warning of truck presence integrated into chassis contours	○	○
Service	CAN bus technology	●	●
Digitalisation	Data transmission online	○	○
	Data transmission WiFi	○	○
	Linde connect:ac pre-shift check – allows operator to report truck condition before use	○	○
	Linde connect:dt crash detection – allows impact damage monitoring	○	○
Operation/load handling	Basic display	●	●
	Colour display	○	○
	Soft landing of forks	●	●
	Proportional speed control – speed dependent on tiller angle	○	○
	Creep speed – for operation with tiller in vertical position	○	○
	Ergonomic tiller head with easy access to all controls	●	●
	Accessory support	○	○
	Clipboard/scanner support with 24 V power supply	○	○
	Lift limit switch – 1x or 2x lift stops	○	○
Linde Load Management (weight)	○	○	
Environment	Coldstore protection to -35°C (in/out)	○	○
Mast	Standard mast	○	○
	Duplex mast	○	○
	Triplex mast	○	○
	Mast protection, polycarbonate	●	●
	Mast protection, wire mesh	○	○
Attachment/forks	Forks: ISO2B, length 800mm	●	●
	Forks: ISO2B, length 1000mm	○	○
	Forks: ISO2B, length 1100mm	○	○
Axles and tyres	Drive wheel: standard duty	○	○
	Drive wheel: heavy duty, high grip	○	○
	Drive wheel: solid rubber – for delicate floors	○	○
	Single load wheels, polyurethane	●	●
	Tandem load wheels, polyurethane	○	○
	Tandem load wheels, polyurethane greasable	○	○
Drive and brake system	Maintenance-free AC motor	●	●
	Electromagnetic braking system	●	●
	Battery compartment, vertical compact	○	○
	Battery compartment, 2 PzS, vertical change	–	–
Energy	Li-ION batteries – different battery capacities with front, laterally or vertically mounted opportunity charging plug	○	○
	Lead acid batteries	○	○
	On-board charger 35 A or 70 A for lead-acid and Li-ION batteries	○	○
	External chargers	○	○

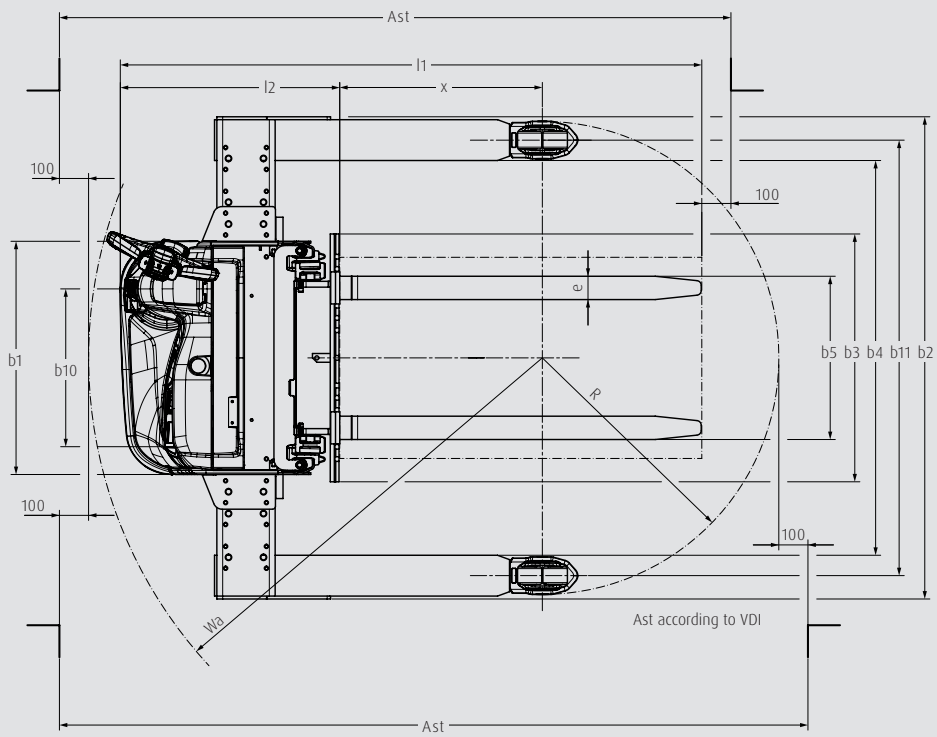
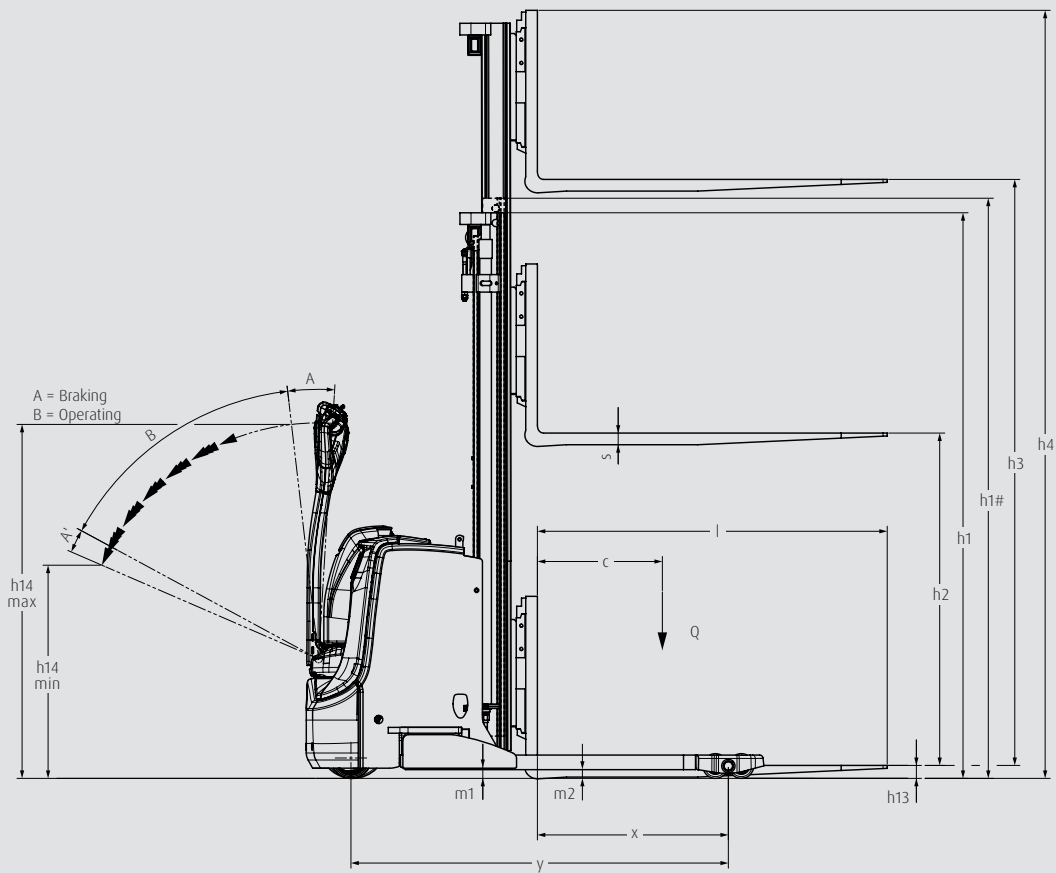
● Standard equipment ○ Optional equipment – Not available

TECHNICAL DATA (according to VDI 2198)

Characteristics	1.1	Manufacturer (abbreviation)		Linde MH	Linde MH
	1.2	Manufacturer's type designation		L10 B AS	L12 B AS
	1.2a	Series		4596	4596
	1.3	Drive		Battery	Battery
	1.4	Operation		Pedestrian	Pedestrian
	1.5	Rated capacity/rated load	Q (t)	1.0	1.2
	1.6	Load centre distance	c (mm)	600	600
	1.8	Load distance, centre of drive axle to fork	x (mm)	654 (646) ¹⁾	654 (646) ¹⁾
	1.9	Wheelbase	y (mm)	1288 (1280) ¹⁾	1288 (1280) ¹⁾
Weight	2.1	Service weight	kg	1034	1034
	2.2	Axle loading, laden front/rear	kg	754/1280	762/1472
	2.3	Axle loading, unladen front/rear	kg	712/322	712/322
Tyres/Chassis	3.1	Tyres: solid rubber, superelastic, pneumatic, polyurethane		Polyurethane	Polyurethane
	3.2	Tyre size, front		Ø 230 × 75	Ø 230 × 75
	3.3	Tyre size, rear		2x Ø 85 × 85 (4x Ø 85 × 50) ¹⁾	2x Ø 85 × 85 (4x Ø 85 × 50) ¹⁾
	3.4	Auxiliary wheels (dimensions)		Ø 140 × 54	Ø 140 × 54
	3.5	Wheels, number front/rear (× = driven wheels)		1x + 1/2 (1x + 1/4) ¹⁾	1x + 1/2 (1x + 1/4) ¹⁾
	3.6	Tread, front	b10 (mm)	516	516
	3.7	Tread, rear	b11 (mm)	1044-1344-1494 (988-1288-1438) ¹⁾	1044-1344-1494 (988-1288-1438) ¹⁾
Dimensions	4.2	Mast height, lowered	h1 (mm)	1940	1940
	4.3	Free lift	h2 (mm)	150	150
	4.4	Lift	h3 (mm)	2924	2924
	4.5	Mast height, extended	h4 (mm)	3572	3572
	4.9	Height drawbar in driving position min./max.	h14 (mm)	856/1220 ²⁾	856/1220 ²⁾
	4.10	Height of wheel arms	h8 (mm)	80 (100) ¹⁾	80 (100) ¹⁾
	4.15	Height, lowered	h13 (mm)	48	48
	4.19	Overall length	l1 (mm)	1993 ³⁾	1993 ³⁾
	4.20	Length to fork face	l2 (mm)	793 ³⁾	793 ³⁾
	4.21	Overall width	b1/b2 (mm)	800 ⁴⁾	800 ⁴⁾
	4.21.2	Overall width across all	b2 (mm)	1204-1504-1654 (1070-1370-1520) ¹⁾	1204-1504-1654 (1070-1370-1520) ¹⁾
	4.22	Fork dimensions DIN ISO 2331	s/e/l (mm)	40/80/1200 (900-1000) ⁵⁾	40/80/1200 (900-1000) ⁵⁾
	4.24	Fork carriage width	b3 (mm)	775-975-1075	775-975-1075
	4.25	Fork spread	b5 (mm)	690-858-1026	690-858-1026
	4.26	Distance between wheel arms/loading surfaces	b4 (mm)	904-1204-1354 (910-1210-1360) ¹⁾	904-1204-1354 (910-1210-1360) ¹⁾
	4.32	Ground clearance, centre of wheelbase	m2 (mm)	30	30
	4.34.1	Aisle width for pallets 1000 × 1200 crossways	Ast (mm)	2468/2513/2588 (2321) ⁶⁾⁷⁾⁸⁾	2468/2513/2588 (2321) ⁶⁾⁷⁾⁸⁾
	4.34.2	Aisle width for pallets 800 × 1200 lengthways	Ast (mm)	2452/2513/2588 (2321) ⁶⁾⁷⁾⁸⁾	2452/2513/2588 (2321) ⁶⁾⁷⁾⁸⁾
	4.35	Turning radius	Wa (mm)	1575 (1567) ¹⁸⁾	1575 (1567) ¹⁸⁾
Performance data	5.1	Travel speed, laden/unladen	km/h	6/6	6/6
	5.1.1	Travel speed, laden/unladen, backwards	km/h	6/6	6/6
	5.2	Lifting speed, laden/unladen	m/s	0.18/0.32	0.16/0.32
	5.3	Lowering speed, laden/unladen	m/s	0.42/0.36	0.42/0.36
	5.10	Service brake		Electromagnetic	Electromagnetic
Electric-engine	6.1	Drive motor rating S2 60 min	kW	1.1	1.1
	6.2	Lift motor rating at S3 15%	kW	3/11%	3/11%
	6.3	Battery according to DIN 43531/35/36 A, B, C, no		no	no
	6.4	Battery voltage/nominal capacity K 5	(V)/(Ah) o. kWh	24/250	24/250
	6.5	Battery weight (± 5%)	kg	212	212
Drive/lifting mechanism	8.1	Type of drive unit		AC control	AC control
Additional data	10.7	Sound pressure level LpAZ (at the operator's seat)	dB(A)	<70	<70

- 1) (with Australian load arms)
- 2) from butterfly rotation axis; in creep speed position +5 mm (optional)
- 3) with rubber bumper +15 mm; with active bumper +23 mm
- 4) with rubber bumper +21 mm; with active bumper +35 mm
- 5) (Option)
- 6) Including a 200 mm (min.) operating aisle clearance.

- 7) with forks length 1200 mm and minimum / intermediate / maximum over all width b2; with Australian load arms -4 / -10 / -57 mm.
- 8) with tiller in the upper working position (10°) and fully turned clockwise; in creep speed position -12 mm. The Ast values in brackets are calculated for special case where the swivelling range R is free.



CHARACTERISTICS



Active foot bumper (optional)

Safety

- Asymmetrical tiller enables optimum view of the fork and surroundings
- Long tiller arm ensures generous safety distance from the truck
- Low chassis and optional active foot bumper for increased safety
- Load management monitors residual load capacity (optional)
- Creep speed and proportional speed for safe maneuvering (optional)



Ergonomic tiller head

Ergonomics

- Ergonomic tiller head with easily accessible controls
- One-handed operation of all functions, even with gloves
- Long, low mounted tiller enables smooth steering movements
- Ergonomically shaped tiller head gives a natural hand position
- Storage compartments for important work equipment



Precise load handling

Handling

- Compact design and small stacking aisle width for precise operation
- Flexibly adjustable straddle arm width (900, 1200, 1350 mm)
- Powerful three-phase motor ensures fast, efficient operation
- Optilift proportional lifting system enables sensitive and precise load handling
- Soft landing of forks allows gentle lowering of the load



Easy access to truck data

Service

- Robust construction ensures long service intervals
- Maintenance-free 1.1 kW three-phase motor increases vehicle availability
- Easily accessible components for fast, efficient maintenance
- Service data can be read out quickly via CAN bus
- Optional data transmission for remote diagnostics and software updates

Subject to modification in the interest of progress. Illustrations and technical specifications could include options and are not binding for actual constructions. All dimensions subject to usual tolerances.