



Order Pickers

N20 D

Capacity 1.0 t | Series 1115

PB

ION

H2

Powerful double-deck order picker

- Thanks to the double forks, two pallets can be loaded and transported simultaneously
- Ergonomic lift enables the operator to pick even heavy goods at an ergonomic height
- Independent support of each pallet is ideal for transporting heavy and pressure-sensitive goods
- Fully suspended operating platform protects against shocks and vibrations
- Operator's platform in front of the battery ensures maximum manoeuvrability and a clear view when entering cross-aisles

MAST TABLES

STANDARD MAST (in mm)

Lift	h3: 1574		h3: 1724		h3: 1924	
Height measurements	h1: 1240 h2: 150 h5: 115	h1#: 1315 h4: 2094	h1: 1315 h2: 150 h5: 115	h1#: 1390 h4: 2244	h1: 1415 h2: 150 h5: 115	h1#: 1490 h4: 2444
Manufacturer's type designation						
N20 D		<input type="radio"/>		<input type="radio"/>		<input type="radio"/>

Optional equipment

h1: Mast height, lowered

h3: Lift

h1#: Closed height (with free lift at 150 mm)

h4: Mast height, extended

h2: Free lift

h5: Initial lift



STANDARD AND OPTIONAL EQUIPMENT

Manufacturer's type designation/equipment		N20 D
Safety	Front cast steel bumper	●
	Front rubber protection (mounted on the cast steel bumper)	○
	Linde BlueSpot – optical warning light for pedestrians and other operators	○
	Linde Curve Assist – automatic operating speed reduction when cornering	●
	Front foot protection	○
	Mast stop landing (300 mm)	●
	Key switch	●
	PIN code log-on	○
Service	CAN bus technology	●
Digitalisation	Linde connect:desk – local fleet management with various functional modules	○
	Linde connect:ac access control – via PIN or RFID	○
	Data transmission WiFi	○
	Data transmission online	○
	Linde connect:dt crash detection – allows electronic impact damage monitoring	○
	Linde connect:an usage analysis – digital usage analysis	○
	Bluetooth USB stick	○
	Linde connect:dt trouble codes – automated error code transmission from truck	○
Operation/ load handling	Inching control (forward only or forward/backward)	○
	Rear initial and mast lift control	●
	Low speed if initial lift is low	●
	Initial lift electrical stop sensor	●
	Soft landing of forks	○
	Mast pressure sensor	●
	Load backrest 1000 mm	○
Environment	Cold store protection -35°C (in/out) – with non-slip steel platform	○
Workplace	Fully suspended operator's compartment – both standing platform and steering unit are suspended	●
	Height adjustable Linde Steering Wheel	○
	Knee protection	●
	Multifunction colour display hour meter, maintenance indication, battery discharge indicator and internal fault code indication	●
	Fixed operator's backrest	●
	Height-adjustable backrest incl. folding seat support	○
	Front bow	○
	Vertical central pole	○
	Support for data terminal and power supply cable 24 V	○
	Support for DIN A4 clipboard and support for scanner	○
	Shrink wrap pole and rear bin	○
	Rear lower storage	○
Mast	Mast protection: polycarbonate	●
	Mast protection: mesh	○
Attachment/ forks	Fork carriage width: 560 mm	●
	Fork length: 1150 mm	●
	Load end overhang (distance between the load wheels and the fork tips): 188 mm	●
Axles and tyres	Drive wheel, polyurethane	●
	Drive wheel, cushion rubber, non-marking or wet grip	○
	Single load wheels, polyurethane	●
	Tandem load wheels, polyurethane (greasable)	○
	Standard castor wheel	●
Drive and brake system	Electromagnetic braking system	●
Energy	Battery compartment, side change 3 PzS (345 Ah/465 Ah) – easy and quick change with ergonomic lever and roller bed	●
	Battery compartment, side change 4 PzS (460 Ah/620 Ah) – easy and quick change with ergonomic lever and roller bed	○
	Battery compartment, Li-ION battery incl. side plug for opportunity charging	○
	Li-ION 24 V charger	○
	Linde HyPower Fuel Cell 24 V – easy and quick change with roller bed	○

● Standard equipment

○ Optional equipment

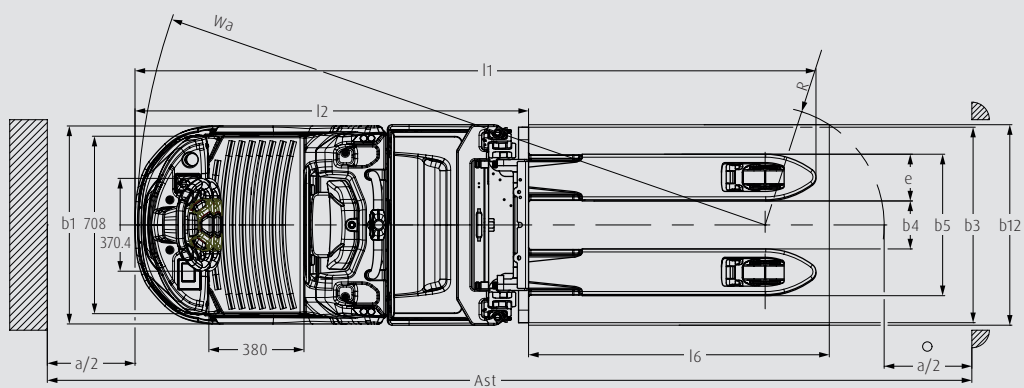
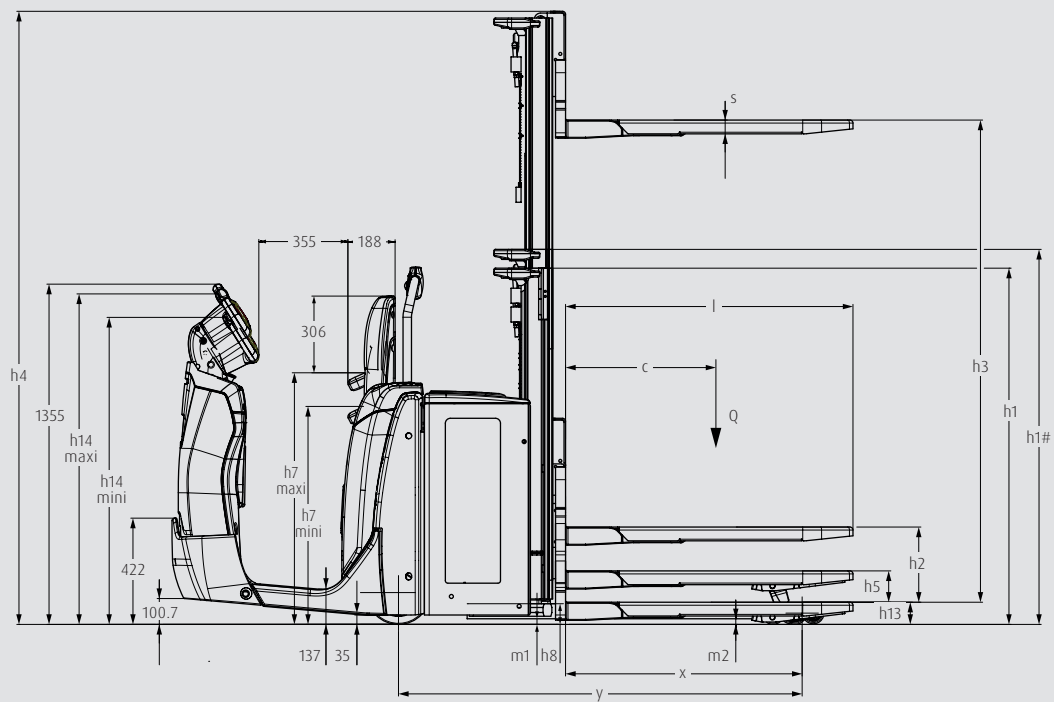
TECHNICAL DATA (according to VDI 2198)

Characteristics	1.1	Manufacturer (abbreviation)		Linde MH	
	1.2	Manufacturer's type designation		N20 D	
	1.2a	Series		1115-00	
	1.3	Drive		Battery	
	1.4	Operation		Order picker	
	1.5	Rated capacity/rated load	Q (t)	1.2 ; 0.8/1.2 ; 2.0 ¹⁾	
	1.6	Load centre distance	c (mm)	600	
	1.8	Load distance, centre of drive axle to fork	x (mm)	874/944 ²⁾³⁾	
	1.9	Wheelbase	y (mm)	1541/1611 ²⁾³⁾⁴⁾	
Weight	2.1	Service weight	kg	1417 ⁵⁾	
	2.2	Axle loading, laden front/rear	kg	1566/1851 ⁵⁾⁶⁾	
	2.3	Axle loading, unladen front/rear	kg	1152/265 ⁵⁾	
Tyres/chassis	3.1	Tyres: solid rubber, superelastic, pneumatic, polyurethane		P - P/P (R - P/P)	
	3.2	Tyre size, front		Ø 254 × 102	
	3.3	Tyre size, rear		Ø 85 × 85 (Ø 85 × 60) ⁷⁾	
	3.4	Additional wheels (dimensions)		Ø 140 × 50	
	3.5	Wheels, number front/rear (x = driven wheels)		1x - 1/2 (1x - 1/4) ⁷⁾	
	3.6	Tread, front	b10 (mm)	491 ⁸⁾	
	3.7	Tread, rear	b11 (mm)	380 ⁸⁾	
Dimensions	4.2	Mast height, lowered	h1 (mm)	1415 ⁹⁾	
	4.3	Free lift	h2 (mm)	150 ⁹⁾	
	4.4	Lift	h3 (mm)	1924 ⁹⁾	
	4.5	Mast height, extended	h4 (mm)	2444 ⁹⁾	
	4.6	Initial lift	h5 (mm)	115 ⁸⁾	
	4.8	Seat height relating to SIP/stand height	h7 (mm)	867/1000 ⁹⁾¹⁰⁾	
	4.10	Height of wheel arms	h8 (mm)	80 ¹¹⁾	
	4.15	Height, lowered	h13 (mm)	86 ¹¹⁾	
	4.19	Overall length	l1 (mm)	2720 ³⁾⁴⁾	
	4.20	Length to fork face	l2 (mm)	1570 ³⁾⁴⁾	
	4.21	Overall width	b1/b2 (mm)	800 ³⁾	
	4.22	Fork dimensions DIN ISO 2331	s/e/l (mm)	71/180/1150 ¹²⁾	
	4.24	Fork carriage width	b3 (mm)	780 ³⁾	
	4.25	Fork spread	b5 (mm)	560 ³⁾	
	4.26	Distance between wheel arms/loading surfaces	b4 (mm)	255 (230) ³⁾¹³⁾	
	4.31	Ground clearance, laden, below mast	m1 (mm)	135/20 ¹⁴⁾	
	4.32	Ground clearance, centre of wheelbase	m2 (mm)	135/20 ¹⁴⁾	
	4.33	Load dimension b12 × l6	b12 × l6 (mm)	1200 × 800	
	4.34	Aisle width predetermined load dimensions	Ast (mm)	3250 ¹⁵⁾¹⁶⁾	
	4.34.1	Aisle width for pallets 1000 × 1200 crossways	Ast (mm)	3258 ¹⁵⁾¹⁶⁾	
4.34.2	Aisle width for pallets 800 × 1200 lengthways	Ast (mm)	3161 ¹⁵⁾¹⁶⁾		
4.35	Turning radius	Wa (mm)	2445/2515 ²⁾⁴⁾		
Performance data	5.1	Travel speed, laden/unladen	km/h	10/12 ¹⁷⁾	
	5.1.1	Travel speed, laden/unladen, backwards	km/h	10/10 ¹⁷⁾	
	5.2	Lifting speed, laden/unladen	m/s	0.12/0.2 (0.06/0.07) ¹⁸⁾	
	5.3	Lowering speed, laden/unladen	m/s	0.3/0.3 (0.06/0.08) ¹⁸⁾	
	5.8	Max. gradeability, laden/unladen	%	14.0/20.0	
	5.9	Acceleration time, laden/unladen	s	6.0/4.8	
	5.10	Service brake		Electric/hydraulic	
	Electric-engine	6.1	Drive motor rating S2 60 min	kW	3
		6.2	Lift motor rating at S3 15%	kW	2.2/10%
		6.3	Battery according to DIN 43531/35/36 A, B, C, no		43 535/3PzS ¹⁹⁾
6.4		Battery voltage/nominal capacity K5	(V)/(Ah) or kWh	24/375	
6.5		Battery weight (± 5%)	kg	272/315 ⁵⁾⁹⁾	
6.6		Energy consumption according to DIN EN 16796	kWh/h	0.83	
6.6.1		CO2 equivalent according to DIN EN 16796	kg/h	0.45	
6.7		Turnover output according to VDI 2198	t/h	45.6	
6.8	Turnover efficiency according to VDI 2198	t/kWh	31.4		
Drive/lifting mechanism	8.1	Type of drive unit		AC control	
Additional data	10.7	Sound pressure level LpAz (at the operator's seat)	dB(A)	< 85	
	10.8	Level of vibration felt by the operator	m/s ²	0.7	

16) Forks upraised
17) (± 5%)
18) Figures in parentheses = initial lift
19) Lateral change

7) Figures in parentheses with tandem load wheels.
8) (0/-5 mm)
9) min./max.
10) With optional operator's seat
11) (-0/+5 mm)
12) Reach legs 75 × 150 × 115
13) at the load arms tip
14) (± 2 mm)
15) including a 200 mm (min.) operating aisle clearance.

1) Pallet truck capacity: on the fork arms only; on the fork arms/on the wheel arms; on the fork arms resting on the wheel arms in initial lift position
2) Forks upraised/lowered
3) (± 5 mm)
4) + 75 mm = 4 PzS side change
5) (± 10%)
6) Load distribution e.g. 1000 kg on the forks, 1000 kg on the load arms. Total load max. 2000 kg.



CHARACTERISTICS



Linde BlueSpot

Safety

- Rounded edges of steel chassis minimises risks while operating
- Automatic speed reduction in curves for safe travel through the warehouse
- Operator's position in front of the battery provides optimum all-round view of the warehouse environment
- Robust steel bumper protects truck chassis and operating platform
- Additional options such as front LED and Linde BlueSpot lights maximise safety



Low step-in height

Ergonomics

- Low entry height platform of only 137 mm makes frequent on/off access easy
- Inching buttons make it easy to move up one of two pallet positions for the next pick
- Fully suspended operator's compartment reduces transmission of vibrations and shocks to the operator
- An additional rear handle gives optimum support when reversing or when stepping onto the truck



Intuitive Linde Steering Wheel

Handling

- Ergonomic lift allows operator to fill two pallets simultaneously and transport pressure-sensitive goods separately
- 3 kW three-phase AC motor for effective acceleration to a top speed of 12 km/h
- Initial lift facilitates operation over ramps and uneven surfaces
- Lead-acid or lithium-ion batteries are available as alternatives to suit the application
- Adjustable Linde Steering Wheel provides intuitive operation and quick overview of key vehicle functions



Front cast steel bumper

Service

- Up to 1000 operating hours between service checks
- Maintenance-free three-phase AC technology and adjustment-free brakes reduce service costs
- Clearly arranged cable harnesses and cables for easy and quick maintenance
- Vehicle parameters can be checked via CAN bus connection to engineer's laptop
- Robust cast steel bumper on the front protects the operator's compartment and reduces collision damage

Subject to modification in the interest of progress. Illustrations and technical specifications could include options and are not binding for actual constructions. All dimensions subject to usual tolerances.



ncnielsen

Nørregade 66, DK-7860 Balling | Tlf.: +45 99 83 83 83
nc-nielsen.dk | info@nc-nielsen.dk